



Pre-Installation Information

Summary: Information and requirements for a successful installation of your new iJetColor

Congratulations on your decision to purchase a Printware iJetColor. This document contains information that you will need to know to prepare for the product installation.

Installation requirements

Please make sure you have the following items on hand and in place before Printware's installation engineer arrives.

- **Table** – You will need to provide a level table for the unit and RIP keyboard and monitor. Recommended table size depends if conveyor option is purchased and if a separate table will be used for the RIP keyboard and monitor. See the recommended table sizes below.
Work-Table Surface Must be Level. IMPORTANT! Level the Table, NOT the Printer! The surface that the printer is placed upon must be level, front to back and side to side. Use a 18" carpenter's level (bubble level) to verify that the surface is level. If the surface is not level the printer will not perform properly; which can lead to damage not covered under warranty. **Why is this Important?** The printer's ink delivery systems, and waste ink drainage system, depend on the table surface being level to perform properly. If this rule is not followed you will experience print quality issues and ink waste draining issues that could cause damage to the printer and void the warranty.
 - Level the Table surface, NOT the Printer.
 - Use an accurate level (i.e. bubble level that is at least 18" long), to check that the table surface is level (front to back and left to right). It is not acceptable to use your "cell phone app" to check level.
 - If the table surface cannot be leveled then the printer should not be placed on it.
 - If the table is not sturdy then the printer should not be placed on it.

Recommended Table/Cart

Several customers have expressed interest in purchasing a good solid table for the iJetColor system. We have identified a table/cart available from **Sam's Club** as an ideal setup. This will provide ample room for a complete iJetColor Press system including the conveyor. Includes drawer dividers for sorting paper, envelopes, ink, or anything you wish to store.



Product Technical Bulletin

PTB0611 10.9.15

iJetColor

Powered by
memjet

Printware

Specifications

- All steel construction
- Doors are flush with the body of the cabinet
- Drawers include padded liners for soft storage sorting parts and tools or anything you wish to organize
- Stainless steel door with 2 key locks
- 12 drawers
- 5" heavy-duty wheels
- Drawers hold 30 lbs each
- Wood top holds 500 lbs evenly distributed

Assembled Size

72" W x 20" D x 37" H

Hardwood Top: 72" x 20" x 1.5" thick



This table can be ordered from:

<http://www.samsclub.com/sams/ultra-heavy-duty-12-drawer-rolling-workbench/prod1480010.ip?navAction=>

or

https://www.sevilleclassics.com/12_drawer_rolling_workbench_ultra_hd

- Network Connection and cable** – A standard network cable (cat5 or cat6) drop to the rip locations is required for sending files to the RIP.
- Power** – Four 110v/115v outlets total of 10 amps power will need to be available within 6ft of the unit.



iJetColor

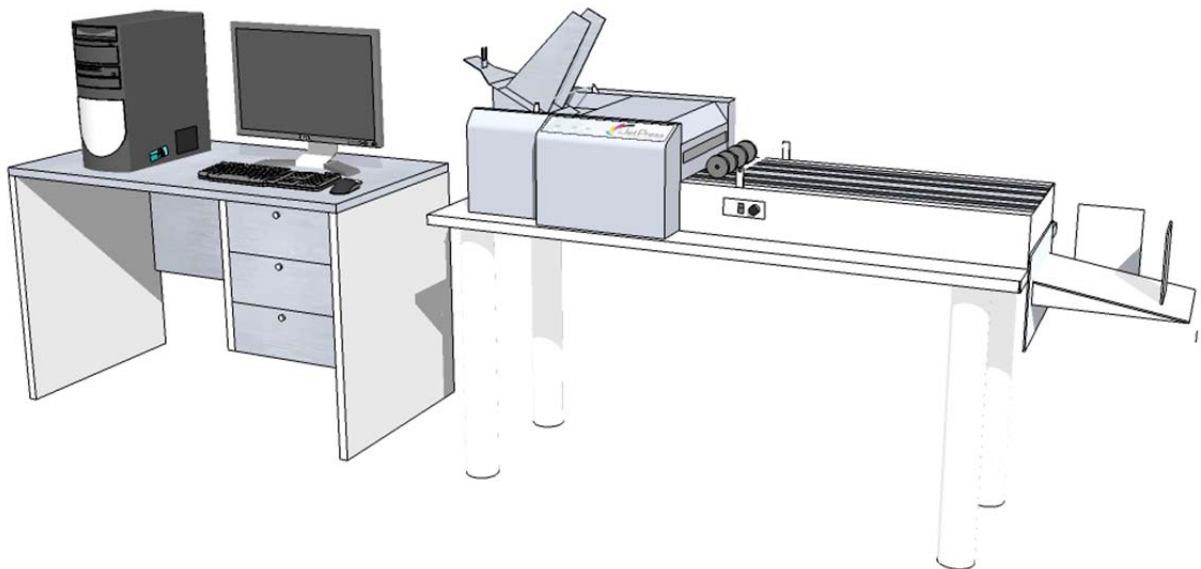
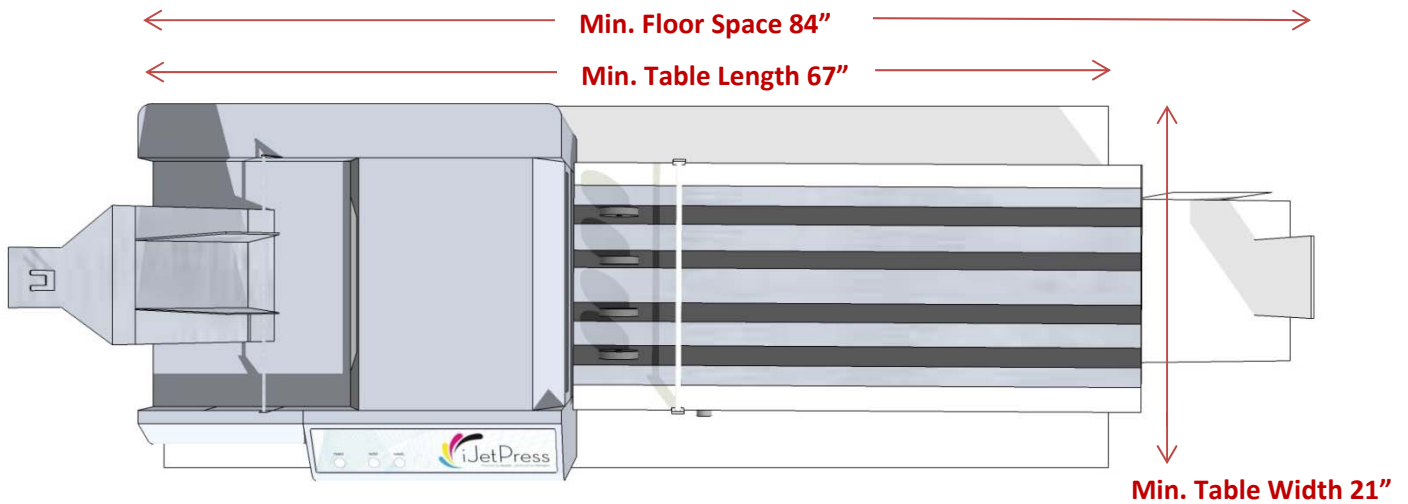
Powered by **memjet**

Printware

Table Size and Space Requirements

Configuration Option with Conveyor

System on table with RIP monitor and keyboard on an additional table





iJetColor

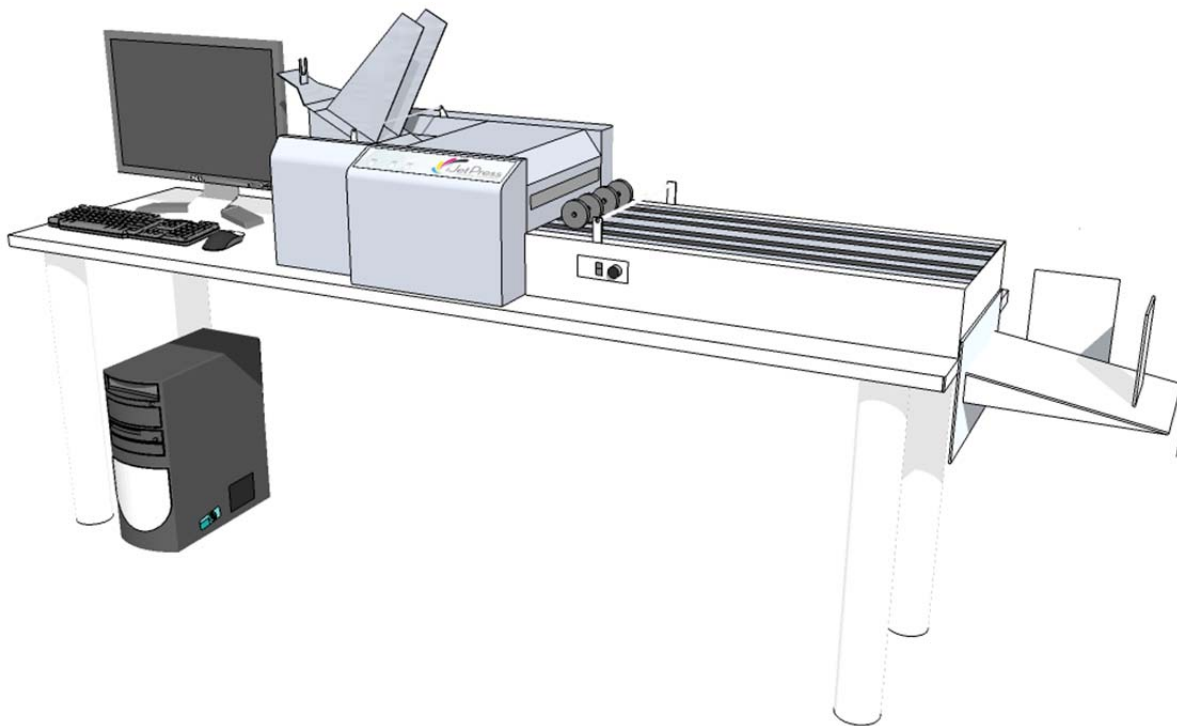
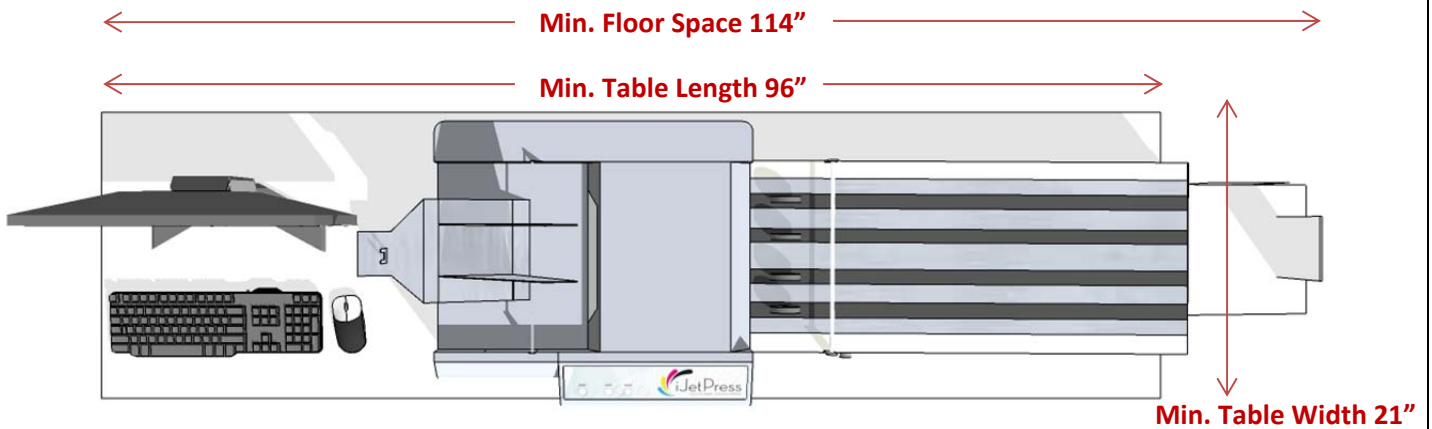
Powered by **memjet**

Printware

Table Size and Space Requirements

Configuration Option with Conveyor

System on table with RIP monitor and keyboard on the same table





iJetColor

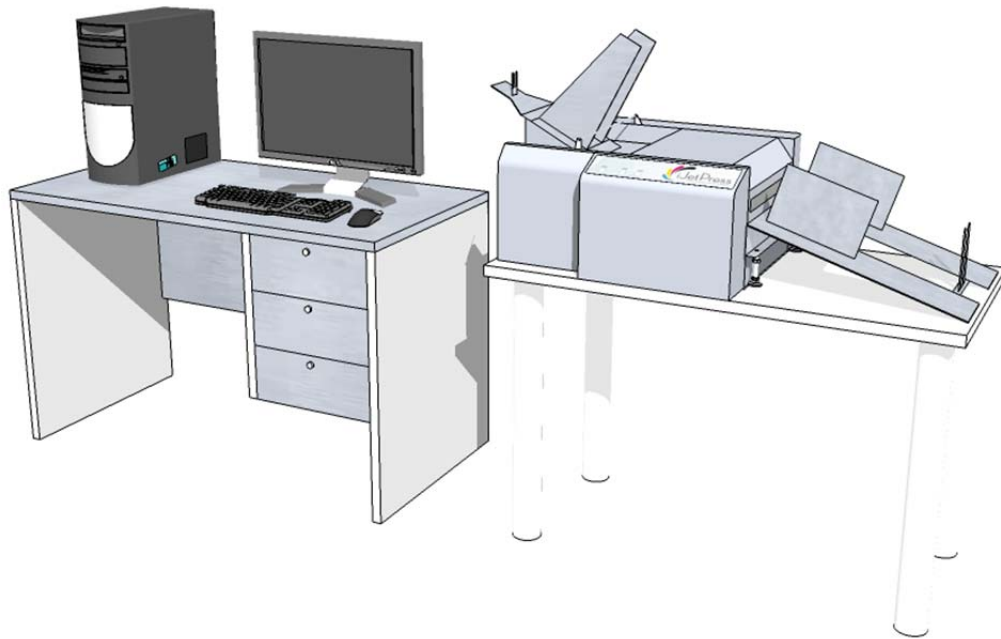
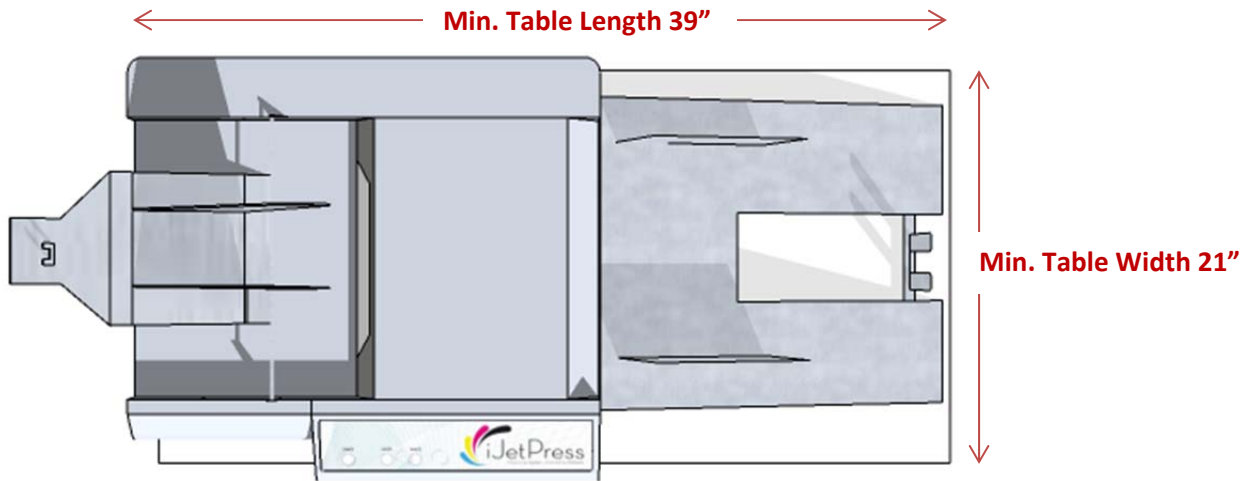
Powered by **memjet**

Printware

Table Size and Space Requirements

Configuration Option without Conveyor

System on table with RIP monitor and keyboard on an additional table





iJetColor

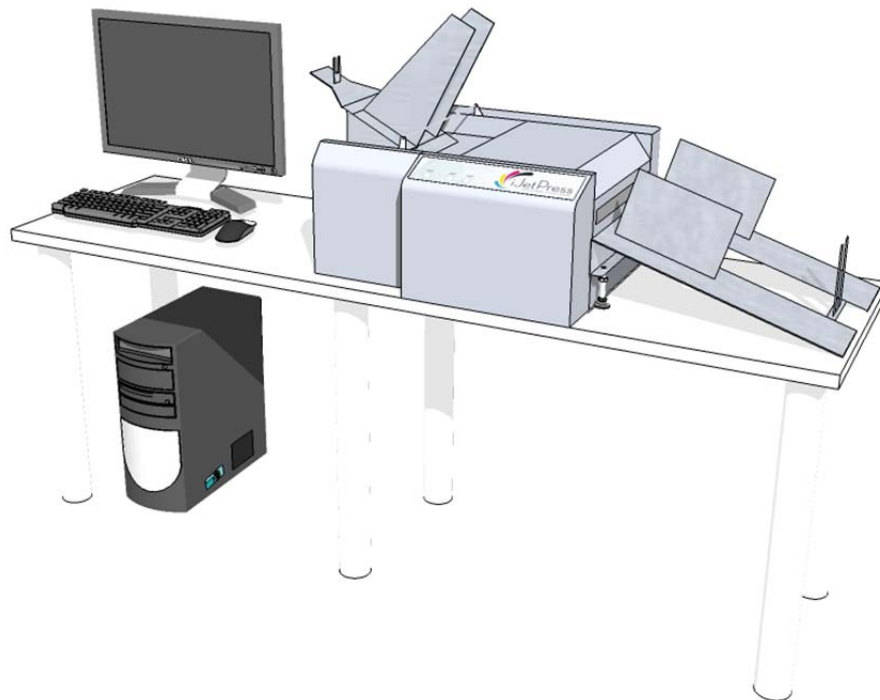
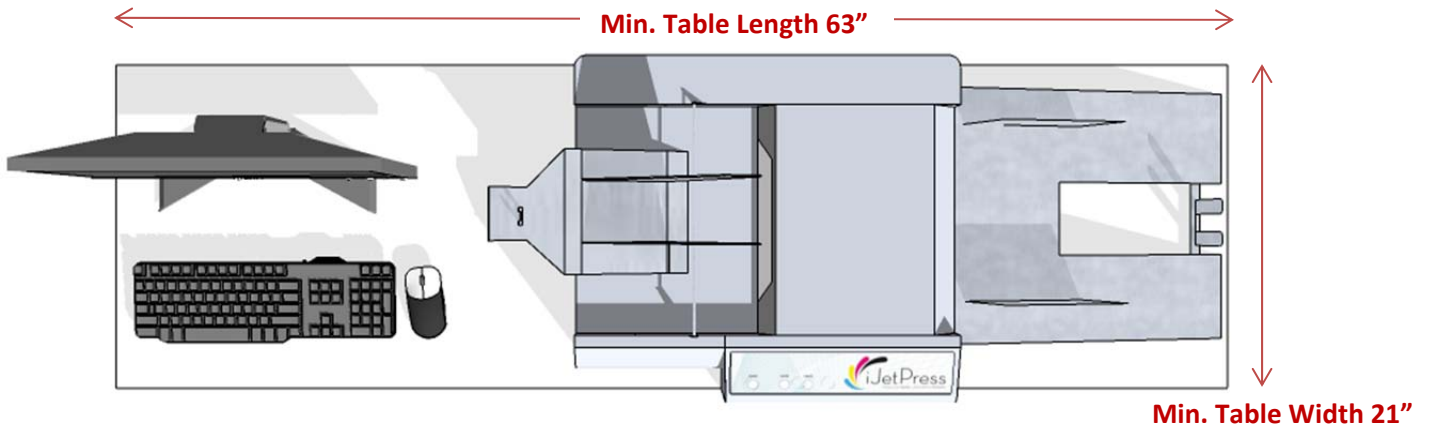
Powered by **memjet**

Printware

Table Size and Space Requirements

Configuration Option without Conveyor

System on table with RIP monitor and keyboard on the same table





Product Technical Bulletin

PTB0611 10.9.15

Printware

Operating Conditions

Temperatures between +15°C and +35°C (59 °F to 95 °F). - At a relative air humidity between 20% and 80%, non-condensing. - At an atmospheric pressure between 70 kPa and 105 kPa. Exposure to conditions that are not permissible may lead to damage which is not externally visible. Allow the printer, printhead and ink tanks to acclimate to ambient temperature before using the printer

System training will also be performed during the installation. Estimated time for training is 2-3 hrs. Please have personnel available for this training.

A Printware iJetColor Installation engineer will contact you to set up a date for the install and training. Please call Printware if you have any questions.

Printware Service Department can be reached at (800) 456-1400 x2